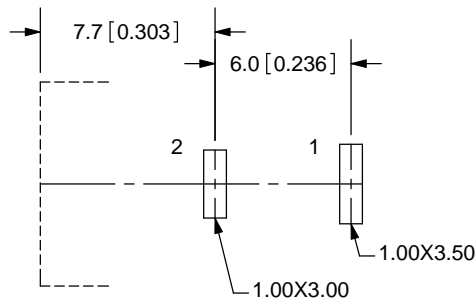
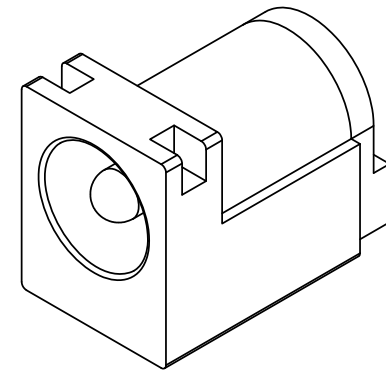
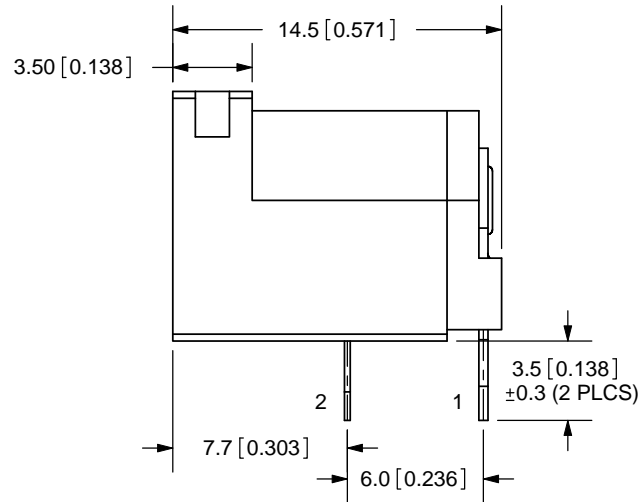
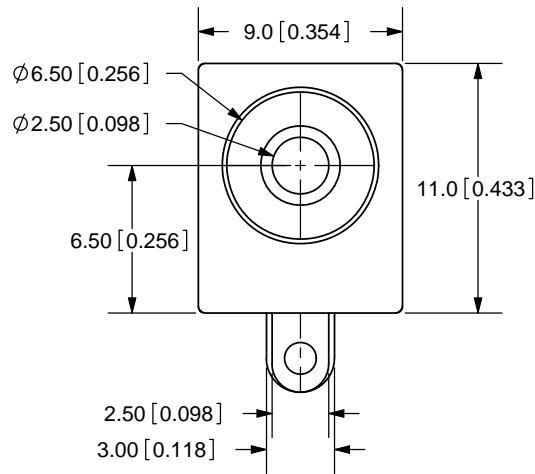
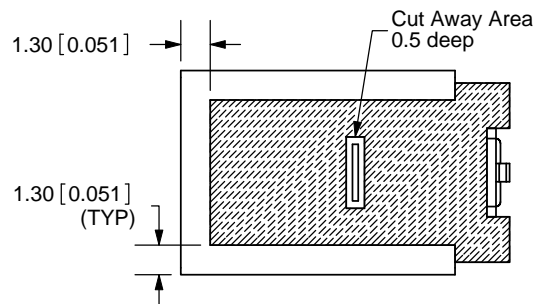


REV.	DESCRIPTION	DATE
A	NEW DRAWING	7/30/2007
B	cut away area modified	8/28/2008



PCB LAYOUT
TOP VIEW



TOLERANCE:
X.X±0.2mm
X.XX±0.1mm
X.XXX±0.05mm



MODEL NO.	PJ-037BH
SCHMATIC	

CENTER PIN DIAMETER 2.50mm Dia.

SPECIFICATIONS:
 RATING: 16V DC @ 5A
 CONTACT RESISTANCE: 50m OHMS MAX
 INSULATION RESISTANCE: 100M OHMS MIN: 500V DC
 VOLTAGE WITHSTAND: 500V AC R.M.S. FOR 1 MINUTE
 LIFE: 5,000 CYCLES

	MATERIAL	PLATING	TITLE: DC POWER JACK	REV: B
CENTER PIN	Copper	Nickel	PART NO. PJ-037BH	UNITS: MM [INCHES]
TERMINAL 1	Brass	Silver		
TERMINAL 2	Copper Alloy	Silver	DRAWN BY: ZRJ	APPROVED BY:
BODY	PBT			



20050 SW 112th Ave.
 Tualatin, OR 97062
 Phone: 503-612-2300
 800-275-4899
 Fax: 503-612-2383
 Website: www.cui.com

PC FILE NAME:
PJ-037BH

COPYRIGHT 2008 BY CUI INC.